

42085

EQUIPTO

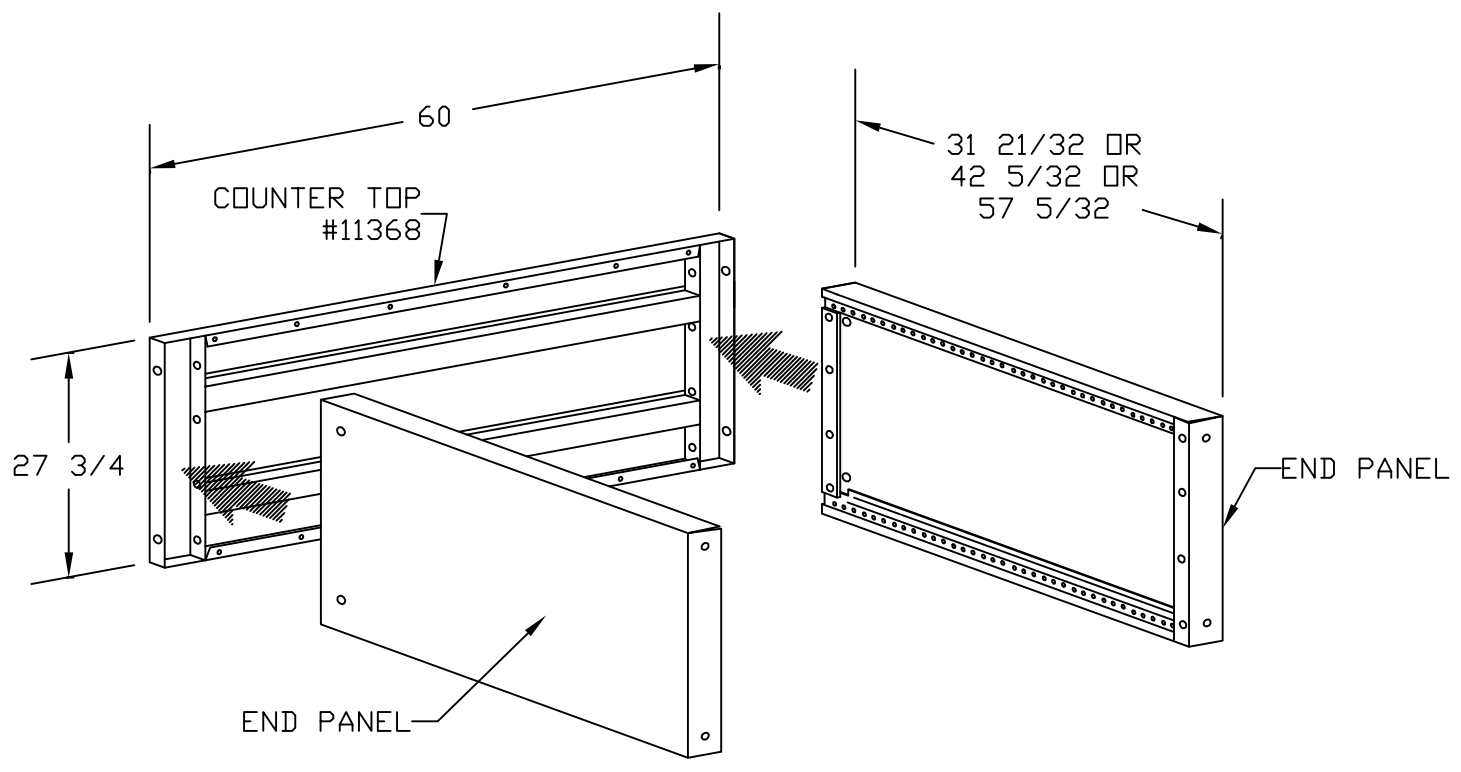
Modular Counter Assembly Instructions

READ INSTRUCTIONS BEFORE ASSEMBLING

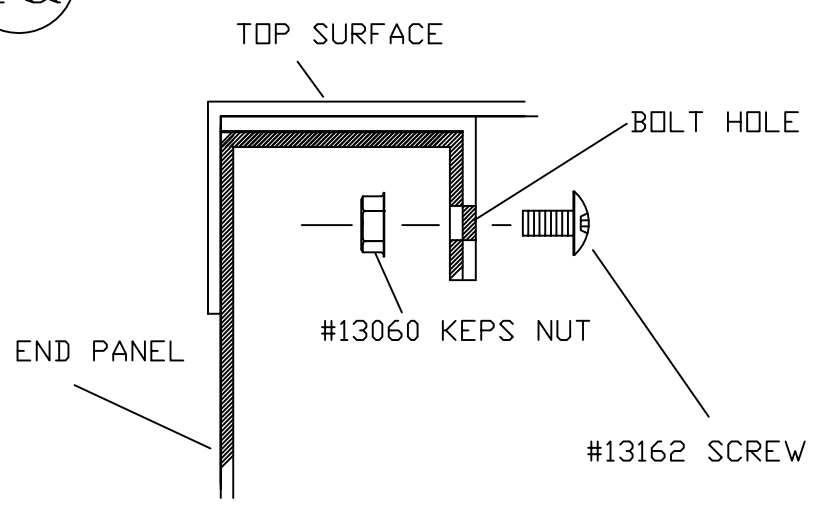
Step

1

COUNTER TOP & END PANEL ASSEMBLY



1a



#13162 TRUSS HEAD SCREW
1/4" - 20 X 1/2"
#13060 KEPS NUT 1/4" - 20
(4 PER END PANEL)

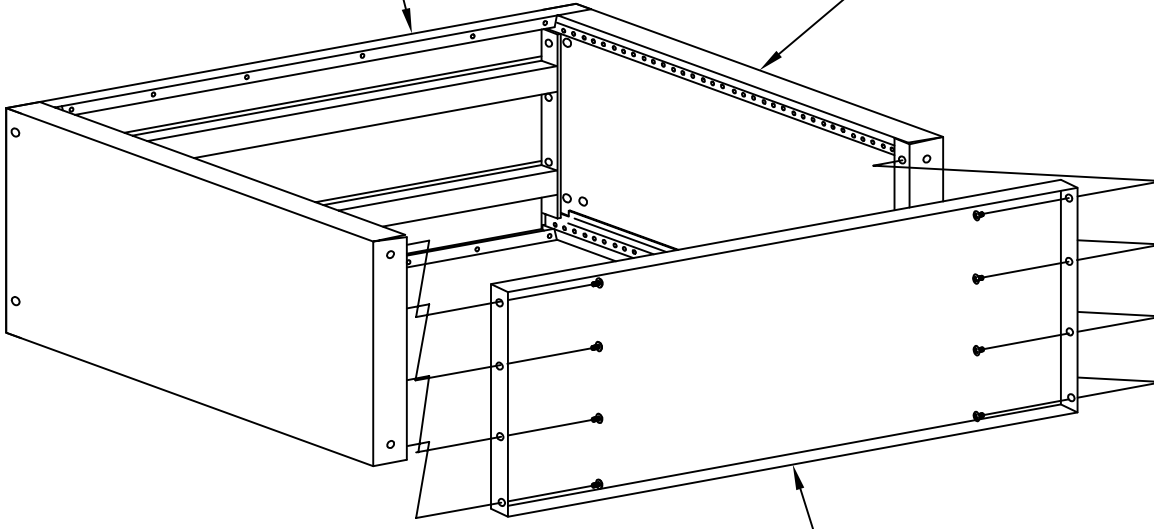
FULL SCALE

Step

2 BOTTOM SHELF ASSEMBLY

COUNTER TOP AND
END PANELS ASSEMBLY

END PANEL
33"H 44852-07
44"H 7930
59"H 7932



#6014 BOTTOM SHELF

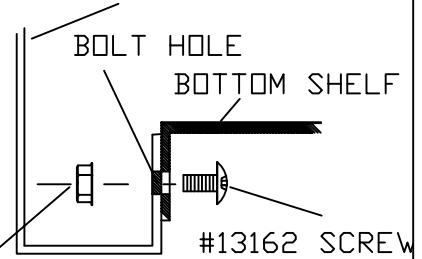
END PANEL

BOLT HOLE

BOTTOM SHELF

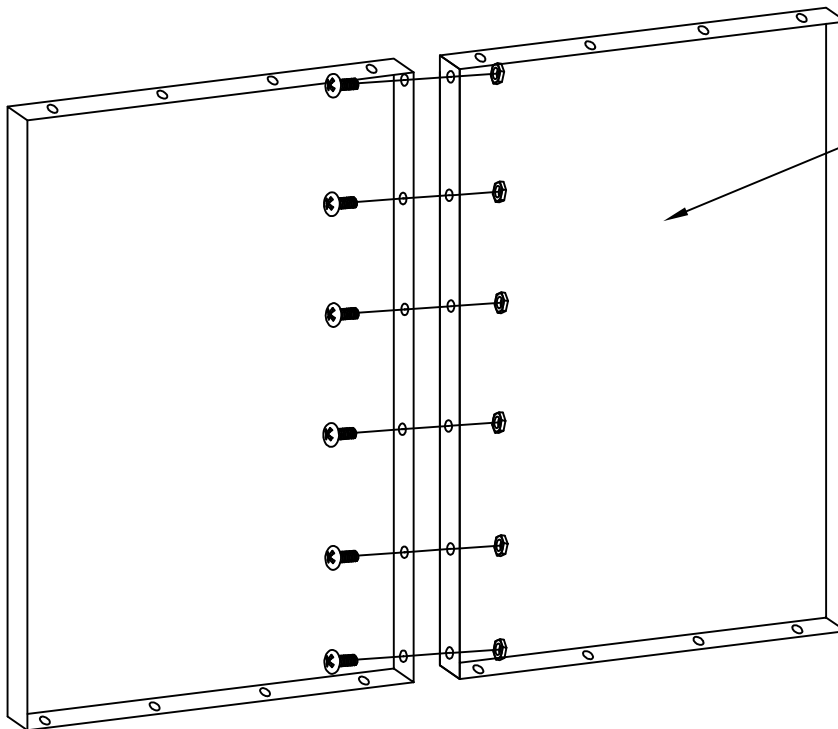
#13162 SCREW

#13060 KEPS NUT



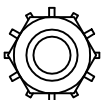
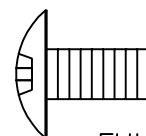
Step

3a BACK PANEL ASSEMBLY



BACK PANEL
33"H 44852-10
44"H 7552
59"H 7554

#13162 TRUSS HEAD SCREW
1/4" - 20 X 1/2"
#13060 KEPS NUT 1/4" - 20

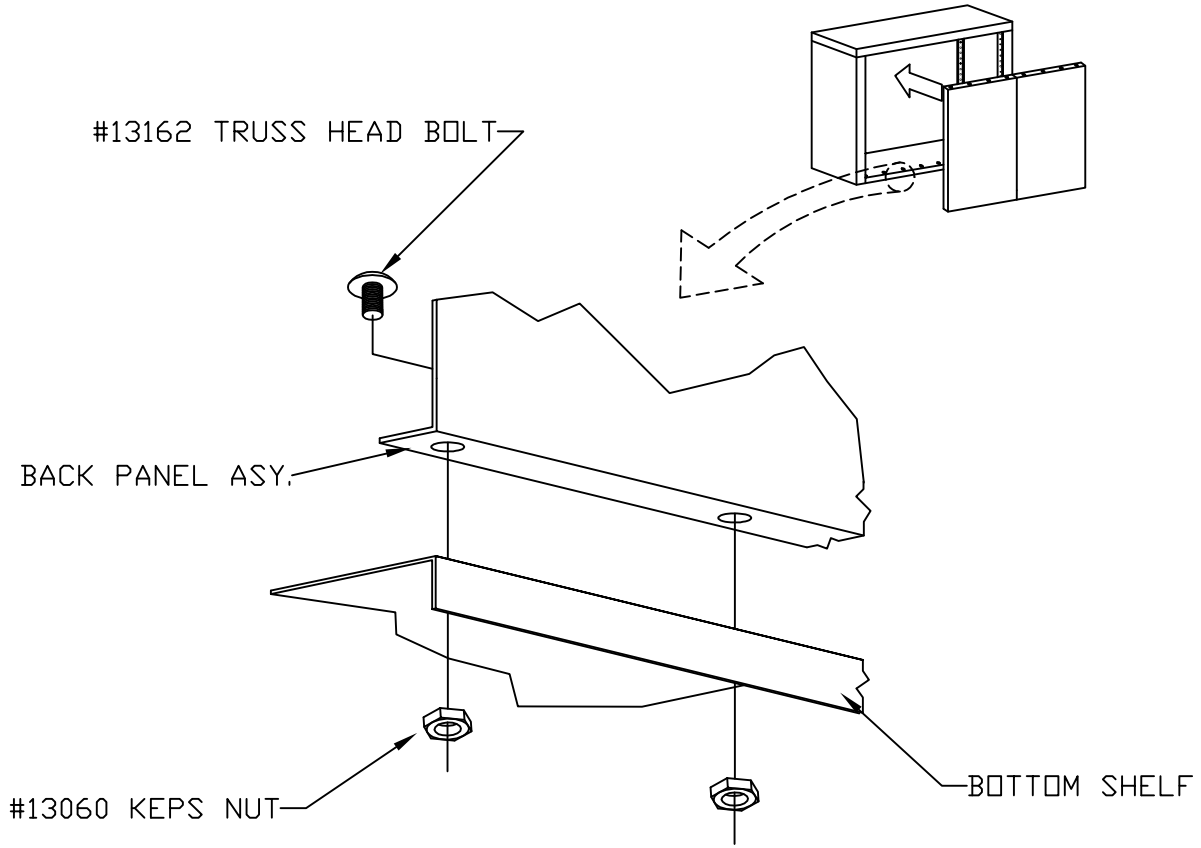


FULL SCALE

Step

3b

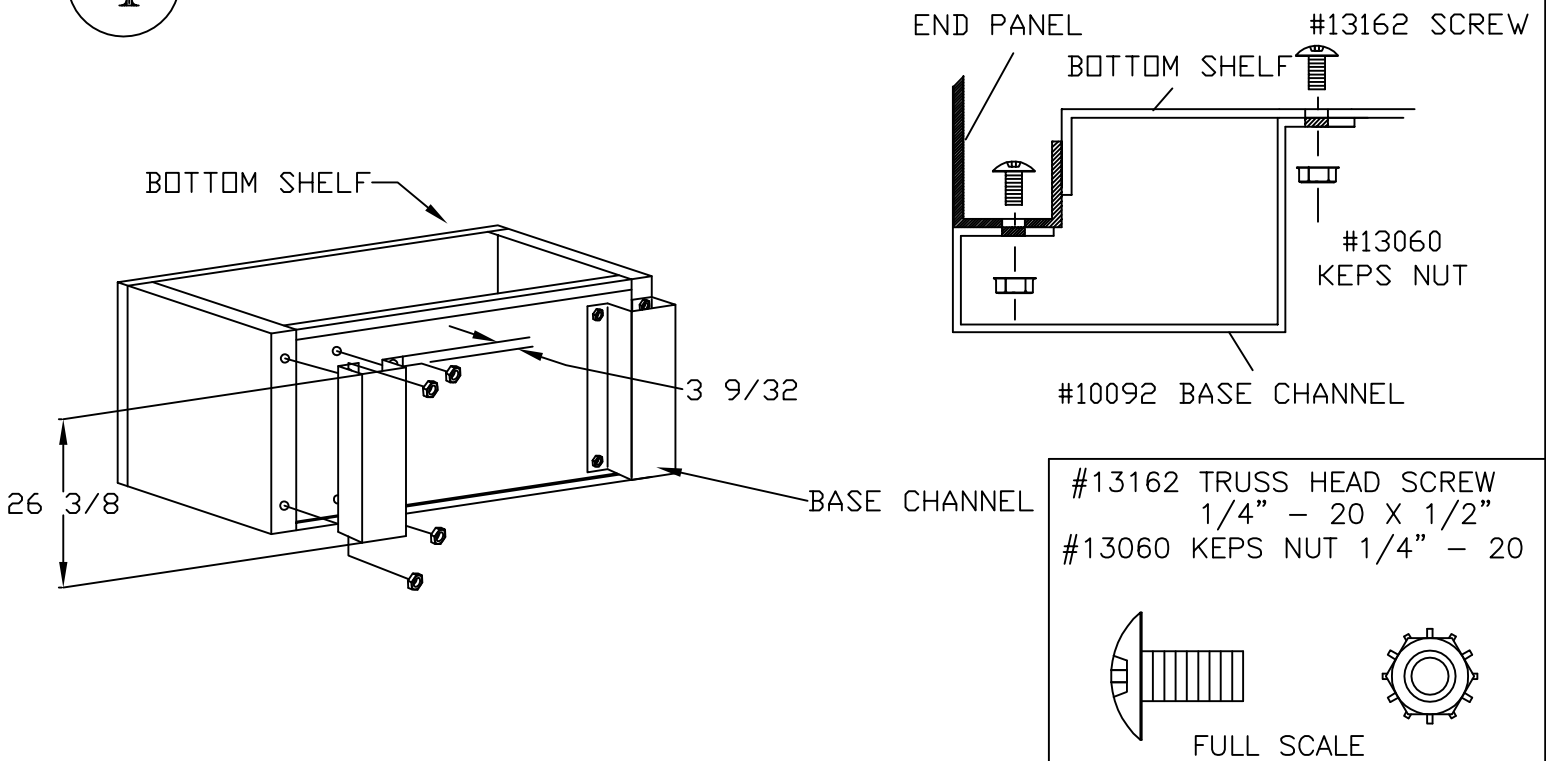
ATTACH BACK PANEL ASSEMBLY



Step

4

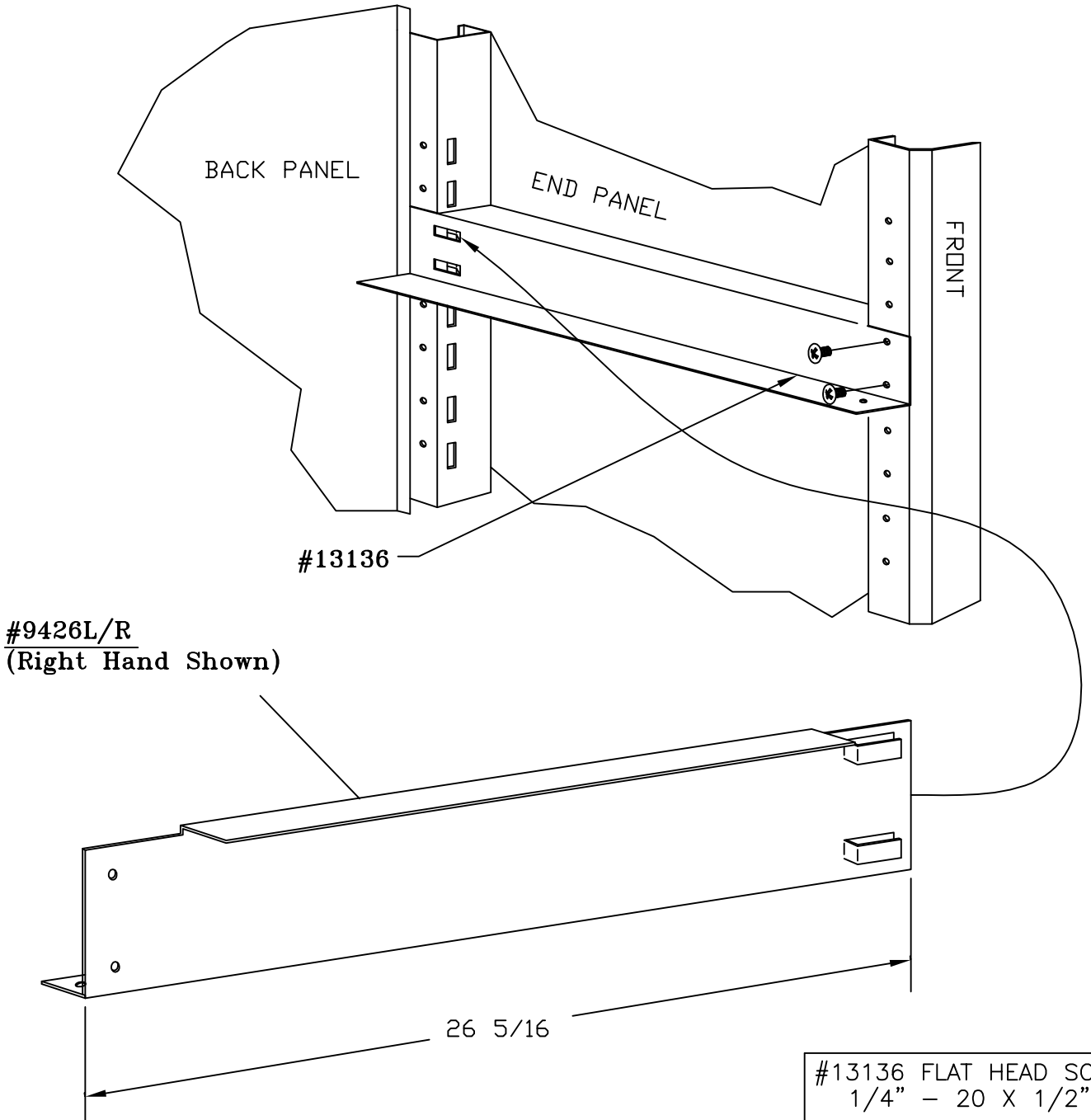
BASE CHANNEL ASSEMBLY



Step

5 SHELF SUPPORT ASSEMBLY

NOTE: Slide tabs "R" at rear of Shelf Supports into slots on rear of end panels at desired height. Use (2)-#13136 Thread Rolling Screws to fasten front of Shelf Supports to the front of end panels.

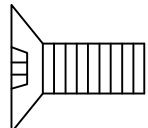


#9426L/R
(Right Hand Shown)

#13136

26 5/16

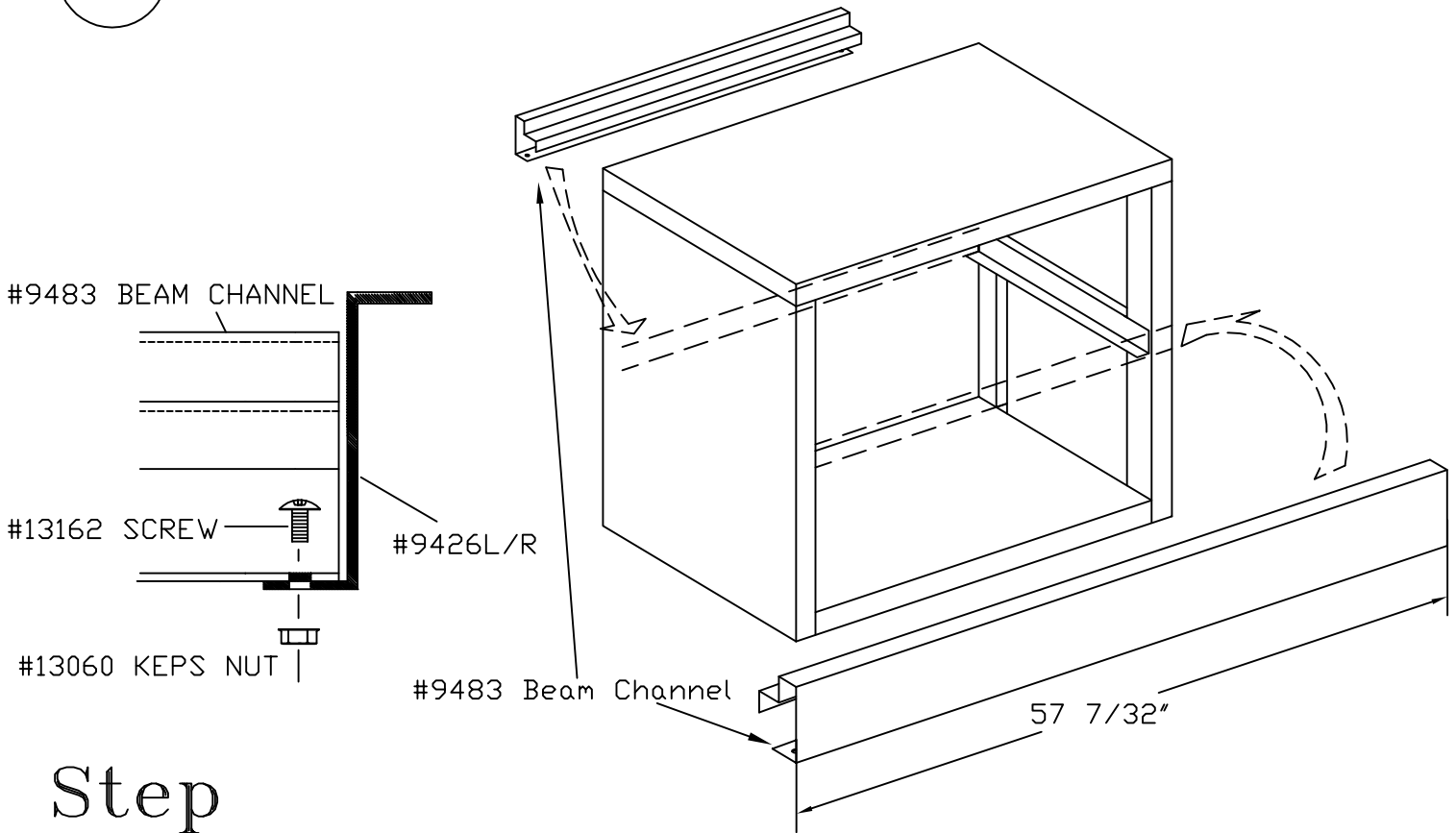
#13136 FLAT HEAD SCREW
1/4" - 20 X 1/2"



FULL SCALE

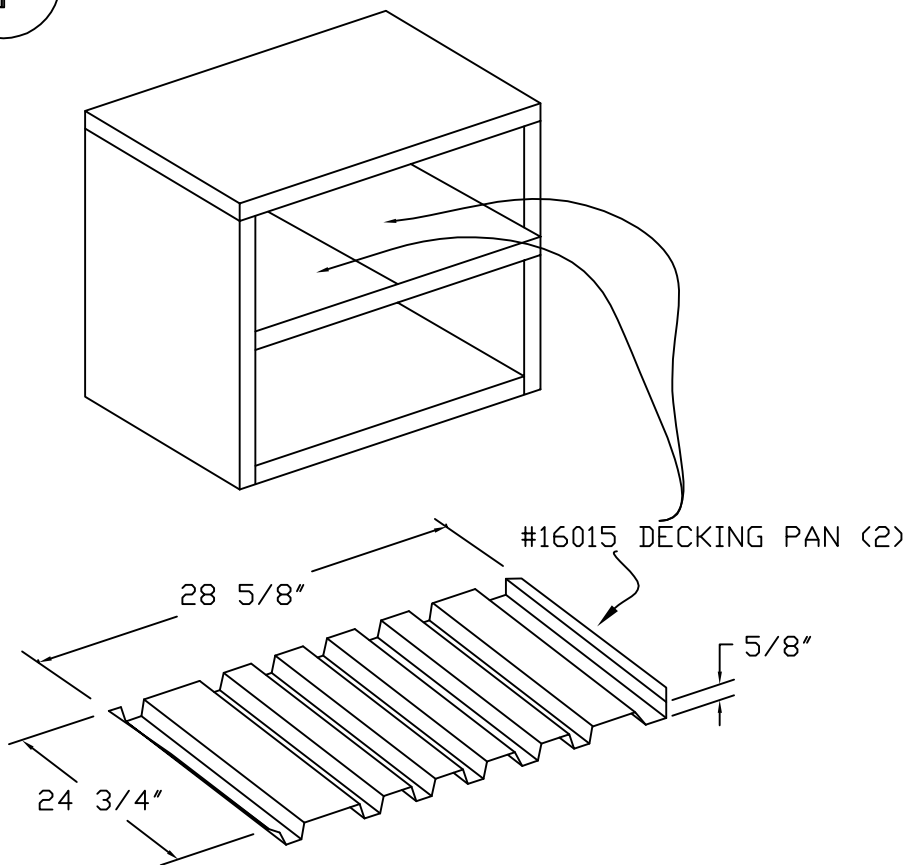
Step

6 BEAM CHANNEL ASSEMBLY



Step

7 DECKING PANEL INSTALLATION



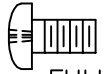
#13162 TRUSS HEAD SCREW
1/4" - 20 X 1/2"

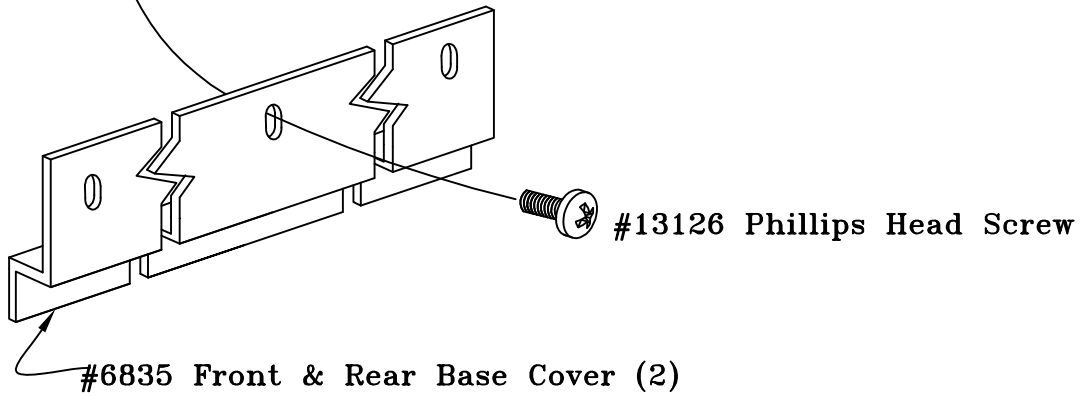
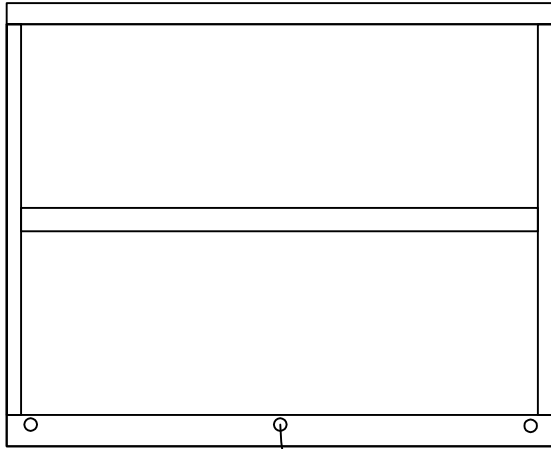
#13060 KEPS NUT 1/4" - 20

FULL SCALE

Step

8 FRONT & REAR BASE COVER

#13126
 PHILLIPS PAN HEAD
 SCREW
 #8-32 x 5/16"
 (3 PER COVER)

 FULL SCALE



HERE ARE TYPICAL ARRANGEMENTS; MANY MORE ARE POSSIBLE.

